

# INSTRUCTION MANUAL

## Oxygen cylinder holder IC-A34HA

7F13049800A2

### Preface

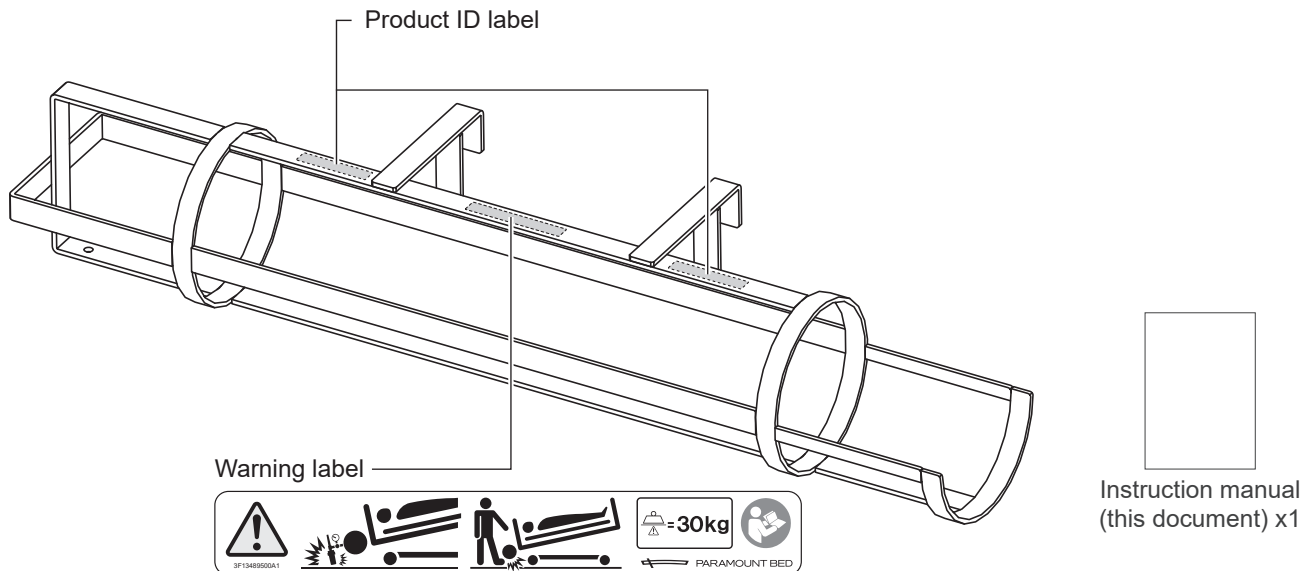
Thank you for purchasing our **oxygen cylinder holder**.

This instruction manual describes precautions and how to safely use and attach **the oxygen cylinder holder**.

- **To ensure safe and proper use of the oxygen cylinder holder, be sure to read this instruction manual before use. Also read the instruction manual for the medical device to be used together with this product.**
- In addition to the person who uses **the oxygen cylinder holder**, caregivers should also read this instruction manual.
- After reading this instruction manual, store it in a place that can be easily accessed for later reference.
- Some of the descriptions in this instruction manual may differ from the product you have purchased due to model improvements.
- Description of the operation range, dimensions, angles, and weights are subject to normal manufacturing tolerances. Except for special cases, words such as approximately and about are omitted in this instruction manual to improve readability.
- For any queries, contact Paramount Bed (see the back cover) or your distributor.

### PART NAMES AND CHECKING PARTS

- After unpacking, check that there are no missing or damaged parts. If any parts are missing or damaged, contact Paramount Bed (see the back cover) or your distributor.
- For details on the product symbol, see p. 6.



## INTENDED USE

■ This oxygen cylinder holder is made for attaching to a medical device to be used together with this product designated by Paramount Bed to use the oxygen cylinder.

[Intended users]

Medical professionals

[Patient target group]

Refer to the instruction manual for the medical device to be used together with this product.

## SAFETY PRECAUTIONS



### WARNING

Indicates that improper handling by ignoring this indication may cause death or serious injury (broken bones, pressure, or paralysis).

■ **The oxygen cylinder holder should be attached to a medical device to be used together with this product designated by Paramount Bed.**

Combined use with a non-designated or third-party bed may cause an accidental injury, or the oxygen cylinder holder or the oxygen cylinder may be damaged or deformed. For suitable products, contact Paramount Bed (see the back cover).

■ **Do not put your foot or any object under the oxygen cylinder holder.**

When adjusting the bed height or inclination angle, your foot may get caught in the gap between the oxygen cylinder holder and the floor, resulting in injury, or the object may be damaged or deformed.

■ **Do not repair or modify by yourself.**

Doing so may create an unintended gap, resulting in accidental injury.

■ **When using the oxygen cylinder, use caution not to allow the flowmeter, etc. to come into contact with a person or object around the medical device to be used together with this product.**

If a contact happens, the flowmeter or the oxygen cylinder holder may be damaged, resulting in injury.

■ **Stop use in case of a failure, damage, or deformation.**

In case of a failure, damage, or deformation, immediately stop use and contact Paramount

Bed (see the back cover) or your distributor for repair or replacement. You may accidentally injure yourself.

■ **Inspect the oxygen cylinder holder regularly.**

To ensure safety, inspect the product regularly, at least once a year.

The product wears out and deteriorates depending on the frequency of use and the environment. Regularly inspect for loose parts and damage. If you use a worn or deteriorated oxygen cylinder holder, you may accidentally injure yourself.

■ **Do not perform the Trendelenburg operations while using the humidifier of an oxygen cylinder.**

The humidifier may hit the floor, resulting in damage.

■ **When setting the bed to the lowest height while using the humidifier of an oxygen cylinder inserted into this product, be careful about the humidifier hitting the floor.**

Depending on the size of the humidifier, it may hit the floor, resulting in damage.

■ **When changing the direction of the bed while an oxygen cylinder is inserted, take care that the gauge or other part of the oxygen cylinder does not hit a wall or other object.**

The gauge may be damaged.




### CAUTION

Indicates that improper handling by ignoring this indication may cause minor injuries (such as bruises, scratches, or cuts) or property damage.

■ **Do not move the medical device to be used together with this product while holding the oxygen cylinder holder.**

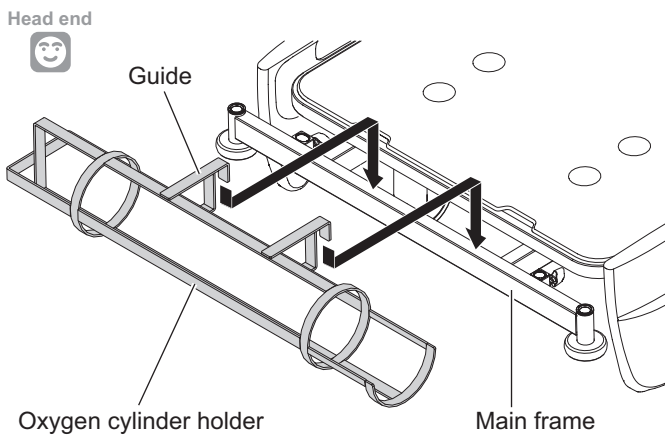
Excessive force may be applied to the oxygen cylinder holder, causing damage or deformation.

# USING THE PRODUCT

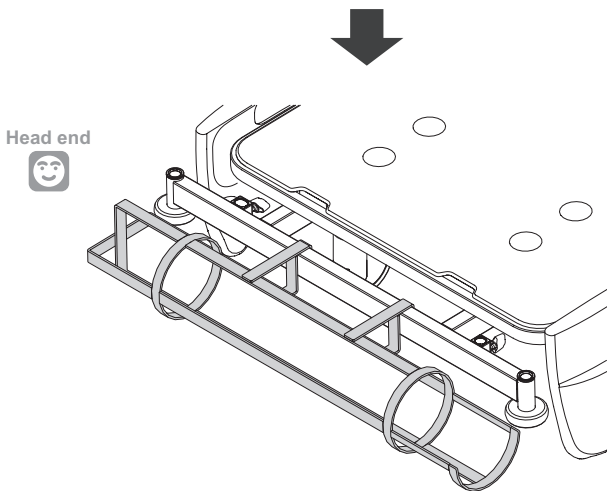
 <b>WARNING</b>	<ul style="list-style-type: none"><li>● Attach the oxygen cylinder holder to the center of the main frame at the head end of the bed. If you attach the oxygen cylinder holder to a frame other than the main frame at the head end of the bed, the oxygen cylinder holder may detach and fall on your foot during bed operation, resulting in injury, or the oxygen cylinder holder or the bed may be damaged or deformed.</li><li>● When using the oxygen cylinder, use caution not to allow the flowmeter, etc. to come into contact with a person or object around the bed. If a contact happens, the flowmeter or the oxygen cylinder holder may be damaged, resulting in injury.</li></ul>
--	--



Be sure to use a 1,000 L to 1,500 L oxygen cylinder (from 14 cm to 15.5 cm in diameter).



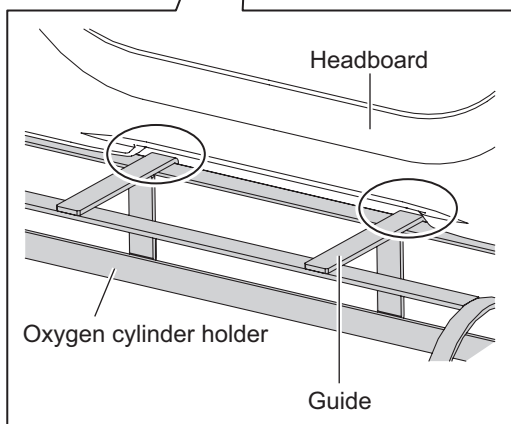
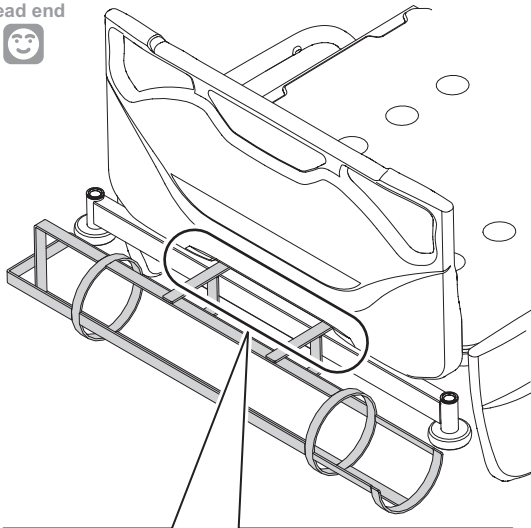
1. Remove the head-end head board.
2. Hook the guide of the oxygen cylinder holder onto the center of the main frame.



## USING THE PRODUCT

---

Head end

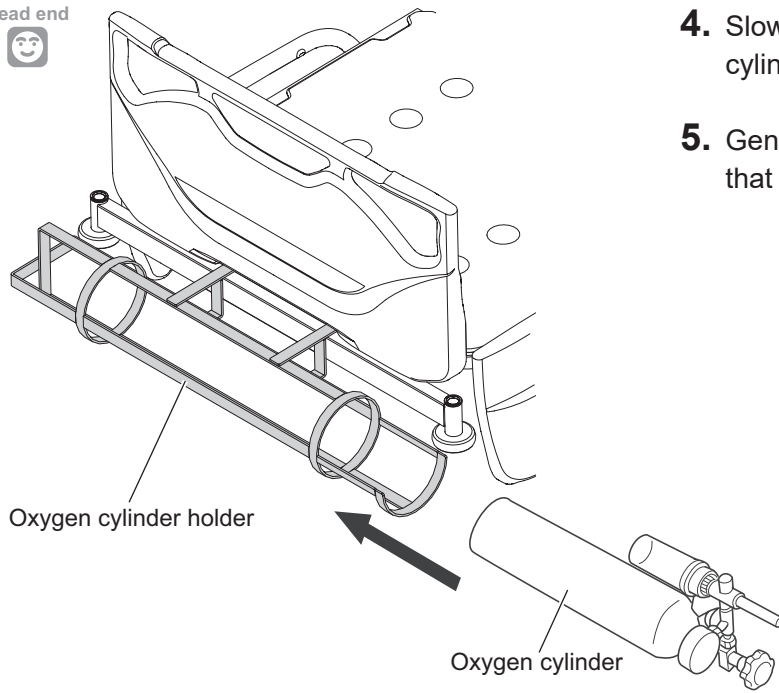


**3.** Attach the head-end head board.



**When attaching the head board, be careful not to place the head board on the guide of the oxygen cylinder holder.**

Head end



- 4.** Slowly insert the oxygen cylinder into the oxygen cylinder holder.
- 5.** Gently shake the oxygen cylinder to make sure that it does not wobble.

# DAILY MAINTENANCE, LONG-TERM STORAGE, AND PRODUCT DISPOSAL

## <Daily maintenance>

### ■ When removing stains from parts

Perform steps 1 to 5 below.

1. Wipe off stains with a cloth soaked in a neutral detergent diluted with water and wrung out well.
2. Wipe off any residual detergent with a cloth soaked in water and wrung out well.
3. Wipe away any leftover moisture with a dry cloth.
4. At the conclusion of cleaning, visually inspect all surfaces of the oxygen cylinder holder.
5. If not visually clean, repeat cleaning the cleaning procedure.



**If the oxygen cylinder holder cannot be visually cleaned, the oxygen cylinder holder should be discarded.**

### ■ When disinfecting parts

Use one of the disinfectants listed below at the specified concentrations by following the instructions in the instruction manual for the disinfectant.

- 76.9% - 81.4% Ethanol for disinfection
- Up to 0.2% Benzalkonium chloride (e.g., Osvan)
- Up to 0.2% Benzethonium chloride (e.g., Hyamine)
- Up to 0.05% Chlorhexidine gluconate (e.g., Hibitane)
- Up to 1.0% Sodium hypochlorite (e.g., Milton)

\* We recommend to disinfect the oxygen cylinder holder before use by another patient.



## CAUTION

- Do not use volatile cleaning solutions (such as paint thinner, benzene, or gasoline) or cresol. Discoloration or deterioration may result.
- Do not use disinfectants other than those listed above. Damage or deterioration may result.
- Thoroughly wipe off parts with a damp cloth after using a neutral detergent or sodium hypochlorite. Not doing so may cause cracking, discoloration, or deterioration of the resin.



- If the oxygen cylinder holder is stained, wipe off promptly. Leaving it as is may cause permanent stains.
- An ozone sterilizer, autoclave, bed cleaning machine, etc. cannot be used for the oxygen cylinder holder.
- Do not sterilize. The oxygen cylinder holder is not intended for sterilization and has not been tested for compatibility with healthcare sterilization systems including ozone, moist heat/steam, dry heat, ethylene oxide vaporized Hydrogen peroxide and other chemical sterilizers. Exposure of the oxygen cylinder holder to these processes may damage the oxygen cylinder holder and render it non-functional.

## <Long-term storage>

- Avoid a location subject to high temperature or humidity, low temperature, dryness or excessive dust. Store the oxygen cylinder holder at a temperature between -10°C and 50°C, and humidity between 20% to 90% RH at 30°C.
- Keep the instruction manual in a safe place so that it does not become lost.

## <Disposal>


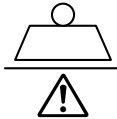









When disposing of the product, observe the local rules and regulations.

# SPECIFICATIONS

Product name	Oxygen cylinder holder	
Model No.	IC-A34HA	
Dimensions	95.9 x 23 x 17 cm	
Product weight	4.5 kg	
Materials	Powder coated steel	
Outside diameter of usable oxygen cylinder	1,000 to 1,500 L (14 cm to 15.5 cm)	
Load capacity	30 kg	
Environmental conditions	Range	
	When transported or stored	Operation
Temperature	-10 to 50°C	5 to 40°C
Humidity	20 to 90% RH at 30°C	20 to 90% RH at 30°C

# PRODUCT SYMBOL DEFINITIONS

The following symbols are used for this product.

Symbol	Description	Symbol	Description
	Serial number		Safe working load
	<p>Manufacturer</p> <p>* It may be called “Legal Manufacturer” or “Brand Owner” etc.</p> <p>* This symbol is not applicable in the country of origin.</p>		See the instruction manual
	Refer to the instruction manual		Model number
	<ul style="list-style-type: none"> <li>●Country of manufacture (Made in India)</li> <li>●Manufacturing site</li> </ul> <p>* In the country of origin, the site acts as the manufacturer.</p> <ul style="list-style-type: none"> <li>●Date of manufacture (YYYY-MM-DD)</li> </ul>		Lot number
	<p>Unique Device Identifier</p> <p>This is a 2D Code (GS1 DataMatrix) that encodes the UDI (Unique Device Identifier) required by the Unique Device Identification System designed to adequately identify devices through distribution and use.</p>		Be careful when performing the Trendelenburg operations while using the humidifier of an oxygen cylinder. The humidifier may hit the floor, resulting in damage.
			Be careful when performing the Trendelenburg operations while using the oxygen cylinder holder. Your feet may get caught between the oxygen cylinder holder and the floor.

# AFTER-SALES SERVICE

---

## 1. When requesting repairs

For requests for repair, contact Paramount Bed (see Contact Information below) or your distributor.

### ■ Information required when you request repair

- Product name, model number, and product ID label number (for the affixed location, see “PART NAMES AND CHECKING PARTS”)
- Date of purchase
- Details of failure or problem (provide as much detail as possible)
- Facility name, your name, address, and phone number

The minimum retention period of service functional parts (required to maintain the original functions of products) is 8 years after discontinuation of manufacturing.

## 2. When you are not sure about the after-sales service

For any queries, please feel free to contact your distributor or to the following address.

### Contact Information

[Location in India (Manufacturer and manufacturing premises)]



PARAMOUNT BED INDIA PVT. LTD.  
Plot no. 319, Sector 3, Phase II,  
Industrial Estate Bawal, Rewari, Haryana,  
India, 123501  
Tel: +91-92896-22084

For other contact information, please visit the website.

Website: <https://www.paramount.co.jp/english/>

